

# Melt Pressure Transmitter Data Sheet

## Industrial Pressure Transmitter

### Model: CMPT124B-126

#### Introduction

◆ CMPT124B-126 Series Melt Pressure Transmitter (Flange type) adopts special construction design and excellent alloy elastic membrane to reduce the thermal draft and improve measurement accuracy. The zero & full span can be calibrated, with amplify signal be connected with PLC and 80% calibration inside. It has wide application of pressure measurement & control for melt-temp liquid for chemical and fiber equipment, polyester equipment, etc.

#### Application

- ◆ Chemical fiber Equipment
- ◆ Polyester equipment
- ◆ Other pressure measure and control

#### Features:

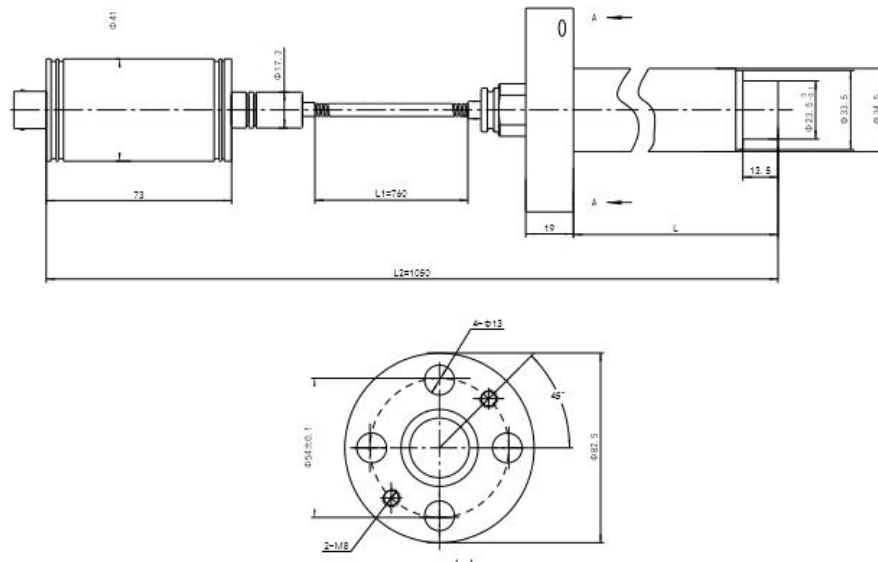
- ◆ High-standard quality
- ◆ Stainless steel Seal
- ◆ Easy to install
- ◆ Zero & Span Calibration
- ◆ Internal 80% calibration
- ◆ Excellent stability and repetition

RoHS

CE



#### Dimensions(mm):



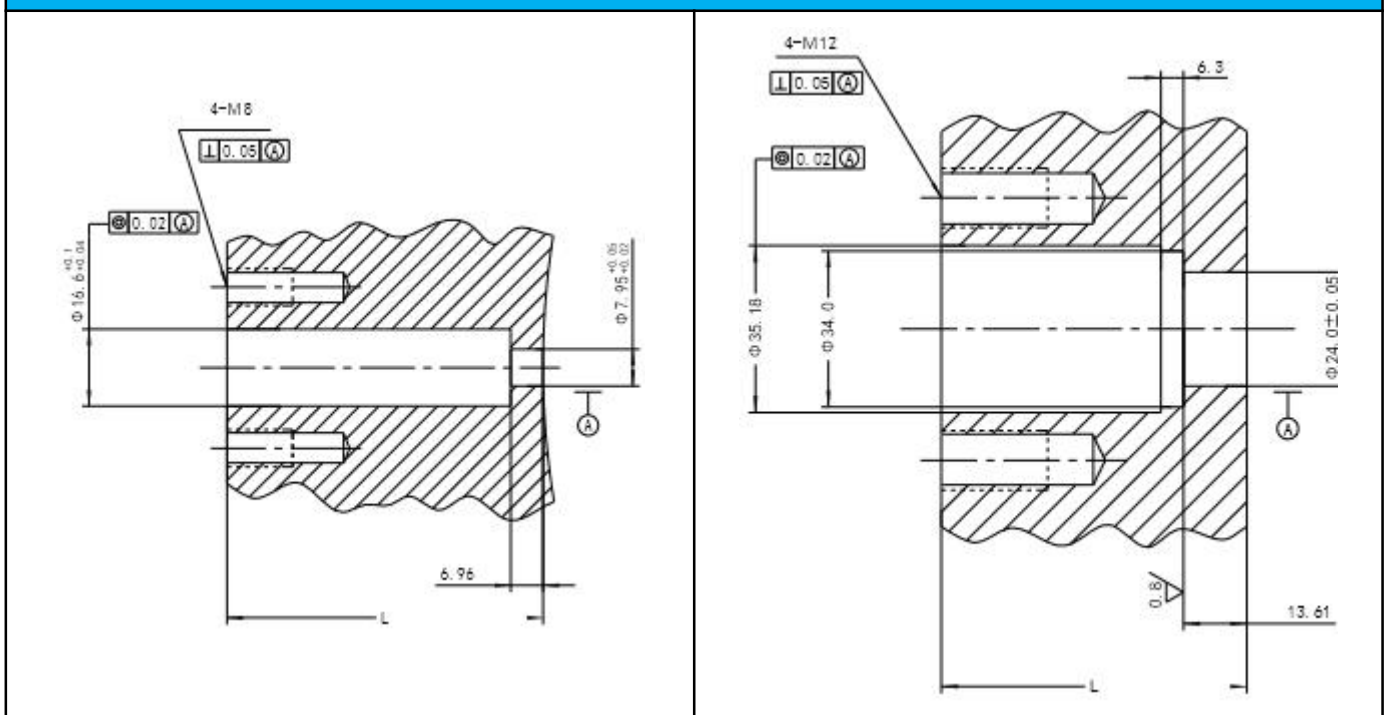
#### Technical Characteristics

Model	CMPT124B-126
-------	--------------

# Melt Pressure Transmitter Data Sheet

Range	0....1MPa to 0....150MPa (0...150psi to 0...20000psi)
Output	0~5V; 0~10V; 4-20mA
Accuracy	±0.5%FS
Input voltage	24VDC (12~36)VDC
Repeatability	±0.2%
Construction:	Wheatstone bridge
Bridge resistance	350 ohms±10%
Overload pressure	2×FSO
Internal calibration	80%FSO±1%
Insulation Resistance	1000Megohms @50Vdc
Max. Diaphragm Temp	400°C
Electric connector	5PIN, 6PIN
Process connector	Flange

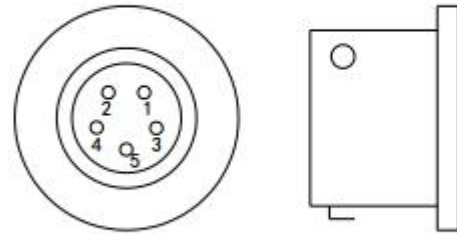
## Mounting hole



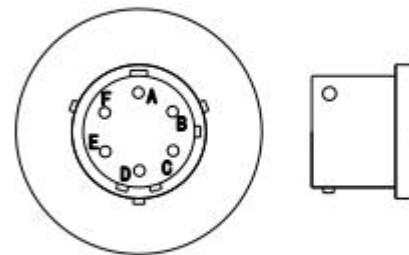
# Melt Pressure Transmitter Data Sheet

## Wiring diagram

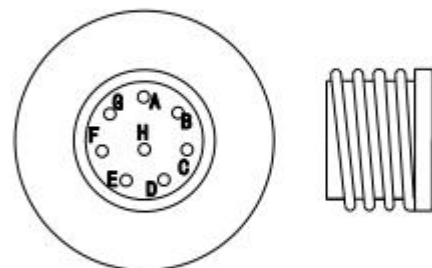
Output	Function	Color	5PIN
0/5V,1-5V; 0/10V 0/0.5V 2.0mV/V	Signal +	Blue	1
	Excitation +	Red	2
	Signal -	White	3
	Excitation -	Yellow	4
	Calibration	Black	5
Output	Function	Color	5PIN
4/20mA	Signal+	Blue	1
	Excitation+	Red	2
	Calibration	Yellow	4
	Calibration	Black	5



Output	Function	Color	6PIN
0-5V;1-5V; 0-10V; 0/0.5V 3.33mV/V	Signal +	Blue	A
	Signal -	Green	B
	Excitation +	Red	C
	Excitation -	Yellow	D
	Calibration	Brown	E
	Calibration	Black	F
Output	Function	Color	6PIN
4-20mA	E+ / S+	Red	A
	E- / S-	Blue	B
	Calibration	Yellow	E
	Calibration	Black	F



Output	Function	Color	8PIN
0-5V;1-5V; 0-10V; 0/0.5V 3.33mV/V	Excitation +	Red	A
	Signal +	Blue	B
	Excitation -	Yellow	C
	Signal -	Green /White	D
	Calibration	Brown	E
	Calibration	Black	F
	Blank	--	G, H
Output	Function	Color	8PIN
4-20mA	E+ / S+	Red	A
	E+ / S+	Blue	B
	Calibration	Yellow	E
	Calibration	Black	F





# Melt Pressure Transmitter Data Sheet

## Ordering Guide

Model	Range (bar)	Output	Screw Thread	Electric connection	Accuracy	Diameter (mm)	Other requirement
CMPT124B-126	*	*	*	*	*	*	---

Example: CMPT124B-126-500Bar-4/20mA-Flange-6PIN

